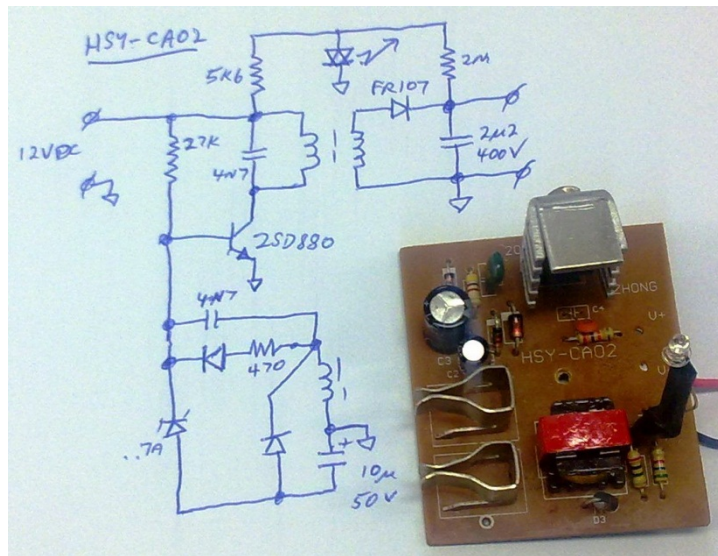


12v DC To AC Adapter Car Power Converter Inverter 5W

- Converting DC power outlet into an AC power outlet for some small electronic appliances.
 - Just plug this inverter in to any 12 Volt DC power outlet, like those found in a car, RV or boat, converts it to a regular AC wall plug
 - An intelligent sensor checks with the output/input compatibility with your electronic device. When the LED lights up, that means the converter can power the device. If the LED light does not illuminate, disconnect the electronic device from the converter.
 - Input: DV 12V / 500mA
 - Output: AC 100V - 240V
 - Max Output Power: 5W
 - NOTE: Not for large electronics like Laptop computers, DVD players, Printers, etc
- Package Content:
- 1x 5W Power Inverter Converter



PCB: HSY-CA02

- 175V output unloaded with 12V in.
- 10.0V input. 174V output. 6.9V bias.
- 12.0V input. 175V output. 6.9V bias.
- 14.0V input. 176V output. 6.9V bias.
- 5.4k load – bias reduces to 6.3V

Light loading pushes switching frequency above 100kHz, falling to nominal 50kHz at 2W load. Output voltage droops, with a nominal constant power type characteristic as per a flyback. The parts run cool at 2.5W output, and should still have good safety margin at 15V input. The default 7.5V zener sets the nominal output voltage - increasing to 10V zener gave 240V unloaded at 12V – Pout results below.

